

How to install JACKOBOARD® Aqua and Aqua Flat on suspended timber floors.

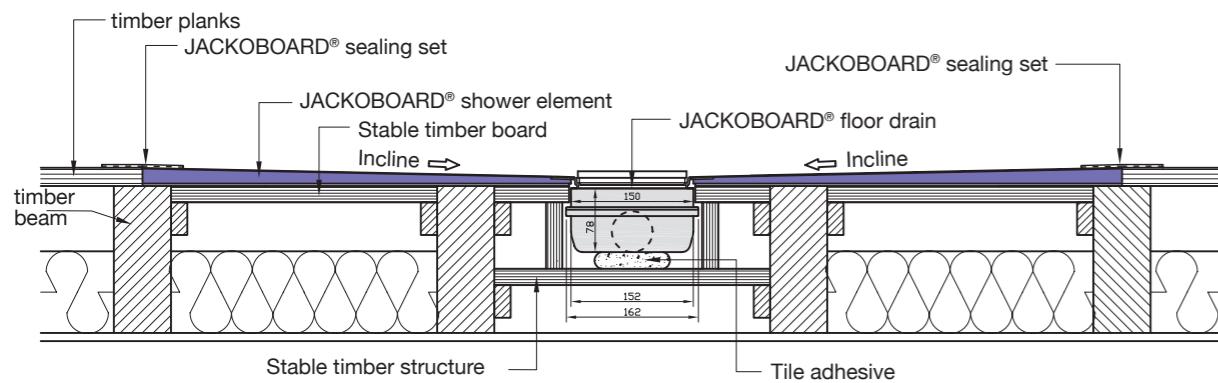
The following notes must be observed in addition to the general installation instructions.

When JACKOBOARD® Aqua or Aqua Flat is used on a suspended timber floor, the entire surface of the substrate must be capable of bearing loads. If required, a stable timber board which supports the entire shower base must be installed between the timber joists. Additionally, the drain itself must be seated on a firm surface. Please see diagram below. The timber substrate must be treated with a suitable primer for bonding with a cement-based flexible adhesive. The shower base must be bonded to the substrate using a cement-based flexible tile adhesive.

Sealing the joints:

All joints must be sealed using either a suitable sealing set or JACKOBOARD® Waterproof Sealing Tape and a suitable liquid composite seal. Please ensure that the adjoining areas of timber flooring are treated with a suitable primer before taping the joints.

JACKOBOARD® Aqua/Aqua Flat on timber beam ceilings



Please note

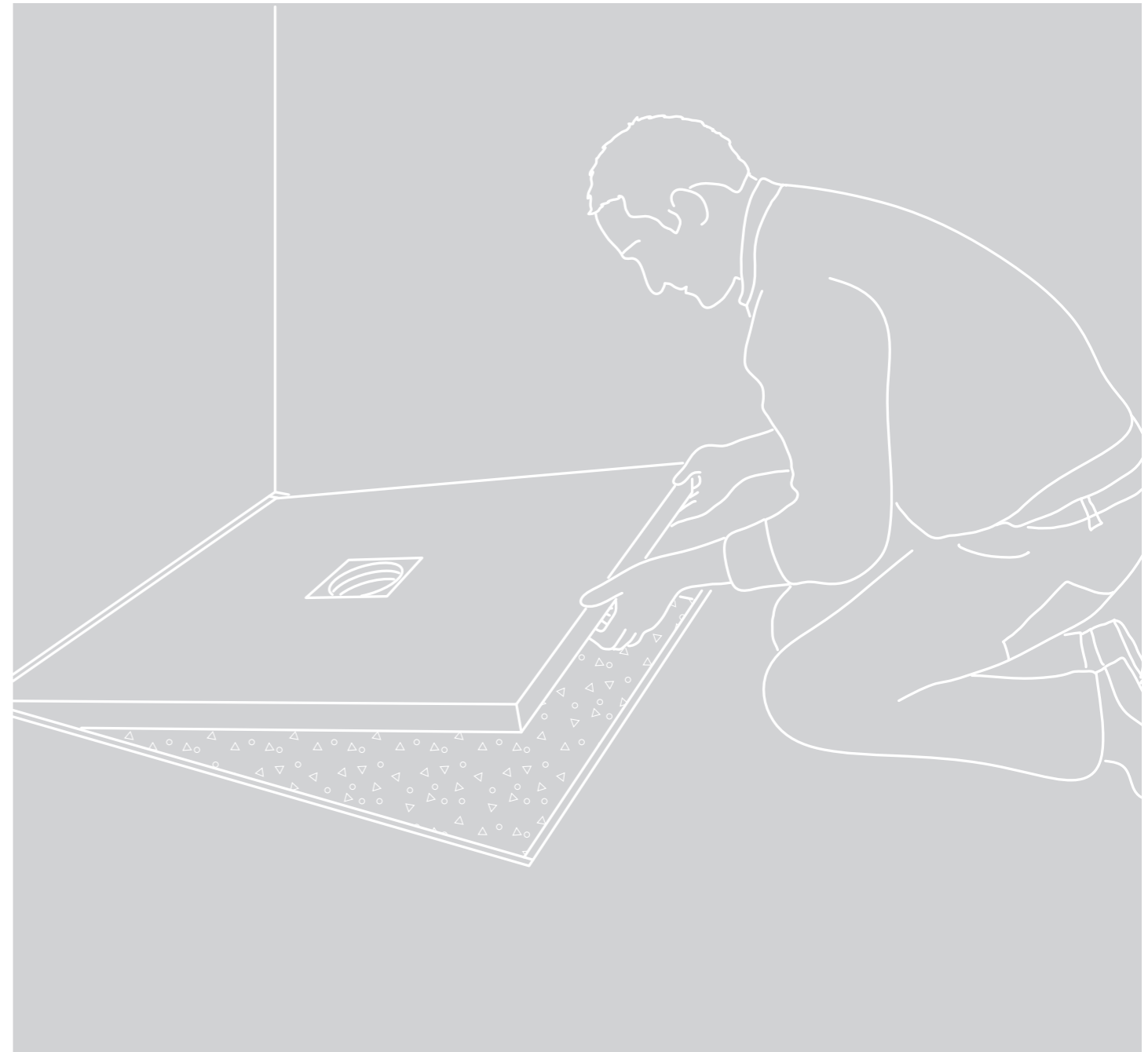
The information provided in this leaflet is based on our knowledge and experience to date. It does not constitute a guarantee in any legal sense. When using this product, please always bear in mind the circumstances of the particular intended application, especially with regard to physical, technical and legal construction issues.

JACKON Insulation GmbH | Carl-Benz-Straße 8 | D-33803 Steinhagen
 Telefon +49 (0) 5204 9955-0 | Telefax +49 (0) 5204 9955-400 | info@jackodur.com | www.jackon-insulation.com

JACKOBOARD®

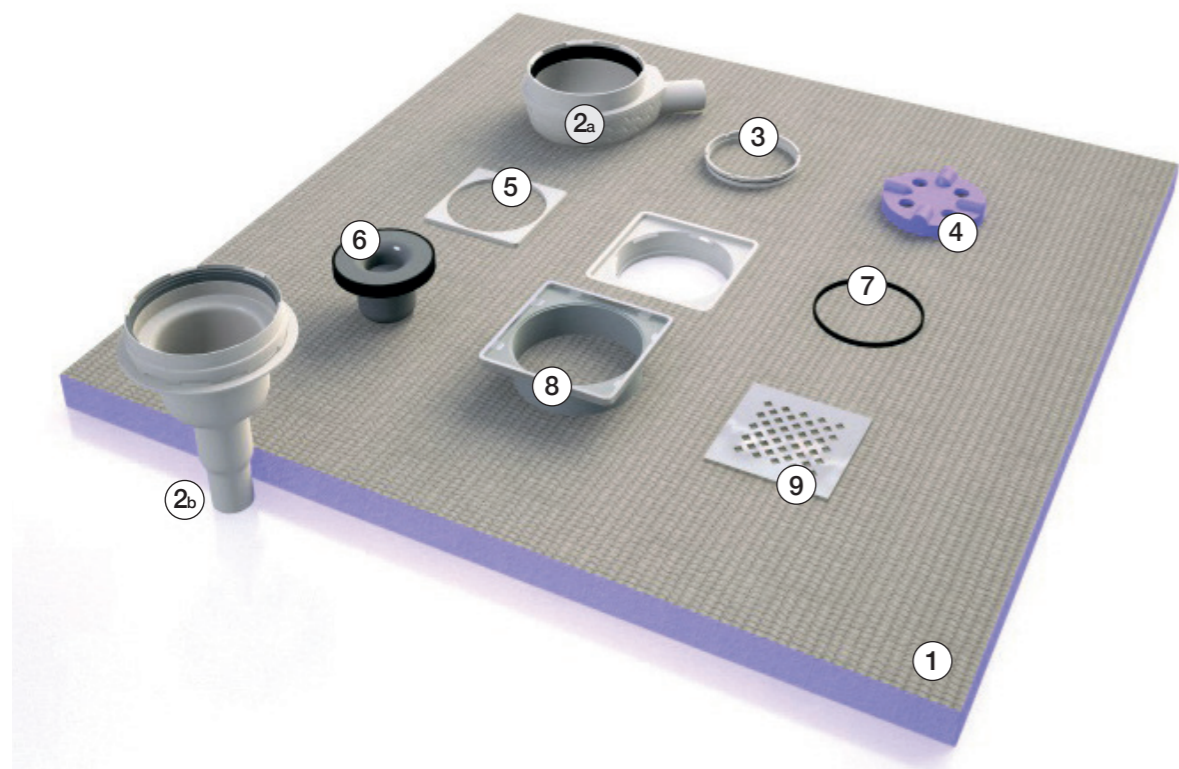


Aqua/Aqua Flat – Shower Bases.



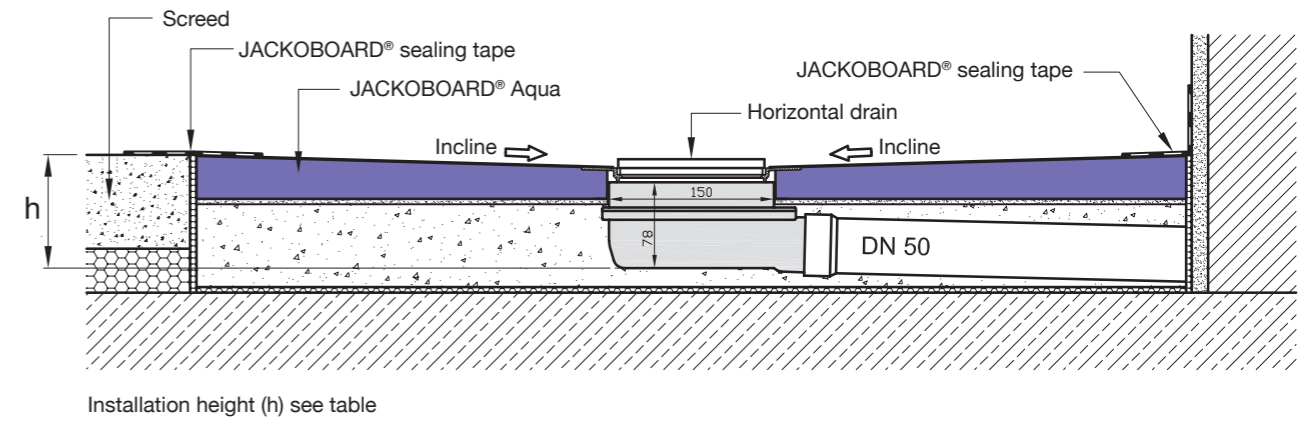
JACKODUR®, JACKOBOARD® and JACKOCARE® are registered trademarks of JACKON Insulation GmbH. 4512114 GB 02/2015

JACKOBOARD® Aqua – System components

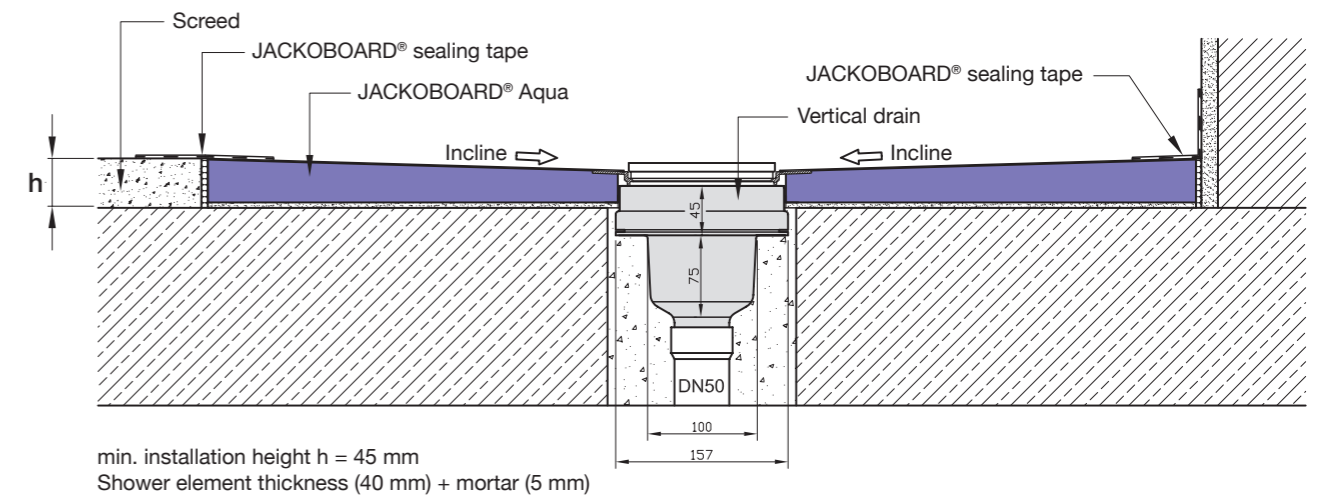


- ① JACKOBOARD® Aqua shower base
- ② a. Horizontal drain
- ② b. Vertical drain
- ③ Clamping collar
- ④ Clamping collar tool
- ⑤ Grate extension insert (for use with thicker tiles only)
- ⑥ Odour trap
- ⑦ Backflow seal (Optional. Not usually needed. But if there is a danger of backflow, it can be inserted in the upper groove of the flange)
- ⑧ Grate support frame
- ⑨ Solid stainless steel grate

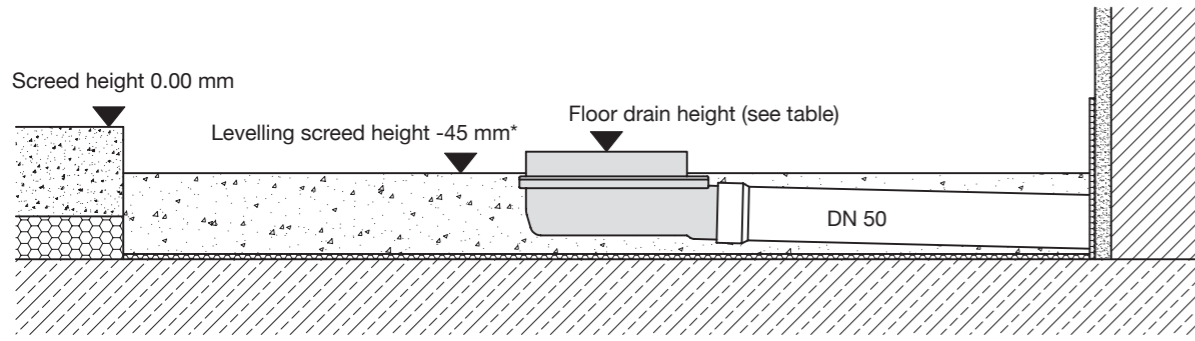
JACKOBOARD® Aqua – Horizontal drain



JACKOBOARD® Aqua – Vertical drain



Installation heights

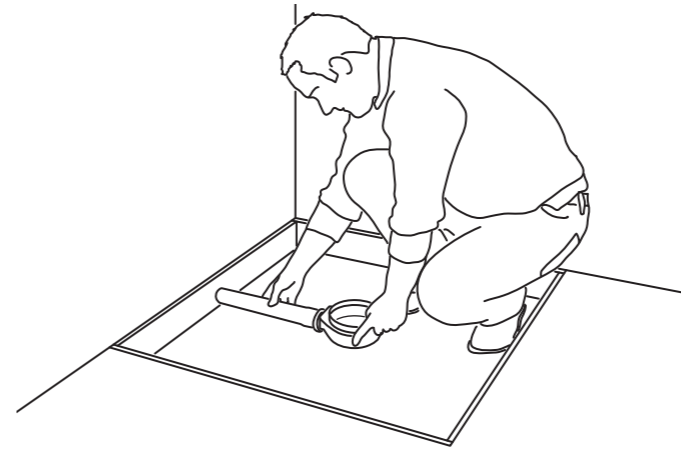


*Shower element thickness (40 mm) + mortar (5 mm)

Height specifications

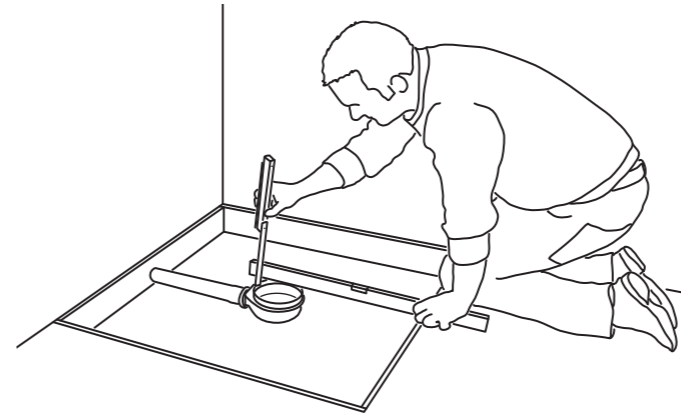
JACKOBOARD® Aqua			Floor drain height (mm)	Installation height (h) with horizontal drain (mm)
Dimensions	Thickness (mm)	Drain position		
900 x 900	40	central	-20	97
1000 x 1000	40	central	-22	99
1200 x 1200	40	central	-25	102
1200 x 900	40	central	-23	100
1800 x 900	40	central	-28	105
900 x 900 quarter-circle	40	dec. (250/250)	-26	103
1000 x 1000	40	dec. (250/250)	-29	106
1200 x 1200	40	dec. (350/350)	-32	109
1800 x 900	40	dec. (650/450)	-32	109
1800 x 900	50	dec. (450/450)	-36	113
900 x 900 quarter-circle	40	dec. (250/250)	-22	99
1200 x 900	40	dec. (250/450)	-29	106
1400 x 900	40	dec. (450/450)	-29	106
1500 x 900	40	dec. (450/450)	-31	108
2000 x 1000	50	dec. (500/500)	-39	116

The heights must be specified on site for customised shower elements.

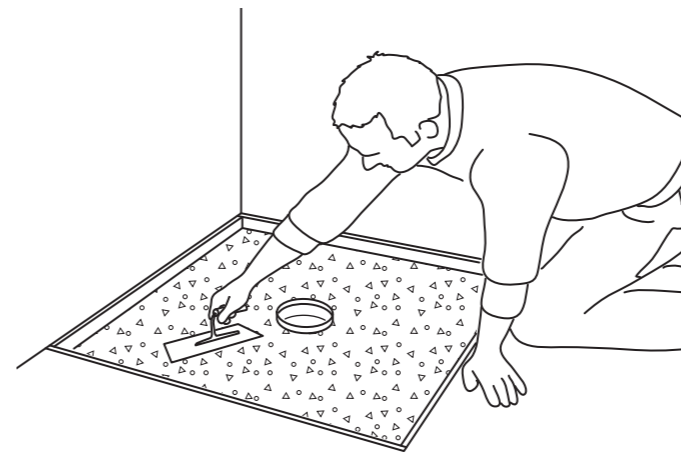


1) Push the drain outlet into the existing DN 50 pipe and centre it. The supplied drain has a DN 50 pipe connection. For connection to pipes in 2" or 1½" is a suitable adapter necessary.

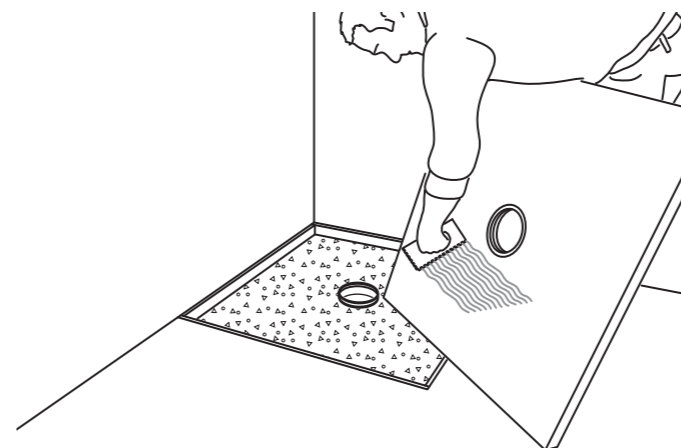
In the case of floor structures with impact sound insulation, the installation of suitable impact sound insulation and edge insulation strips must be included in the planning.



2) Position the drain at exactly the right height. The height difference between the upper edge of the drain and the level of the screed depends on the thickness of the shower base (see diagram and table, page 6).

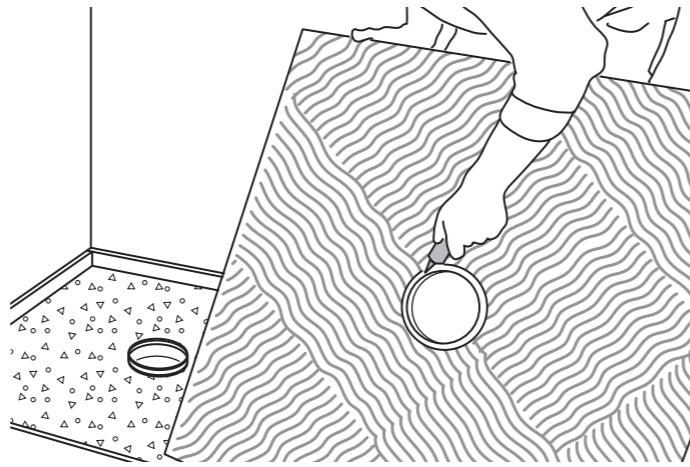


3) Fill the floor recess with a levelling screed or concrete and level off to the appropriate depth. The height difference to the level of the surrounding screed depends on the thickness of the shower base (eg 40mm) plus approximately 5 mm adhesive bed (see table and diagram page 6). JACKOBOARD® Aqua Support Base can also be used to level out the height difference if required.

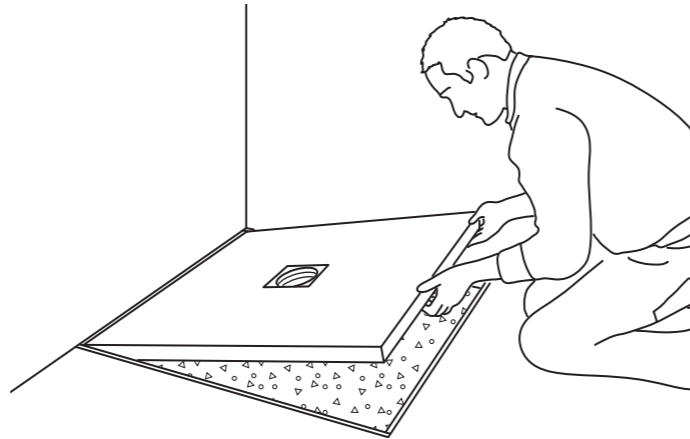


4) Once the levelling screed has cured, apply cement-based flexible tile adhesive with a notched spreader to the entire underside of the shower base.

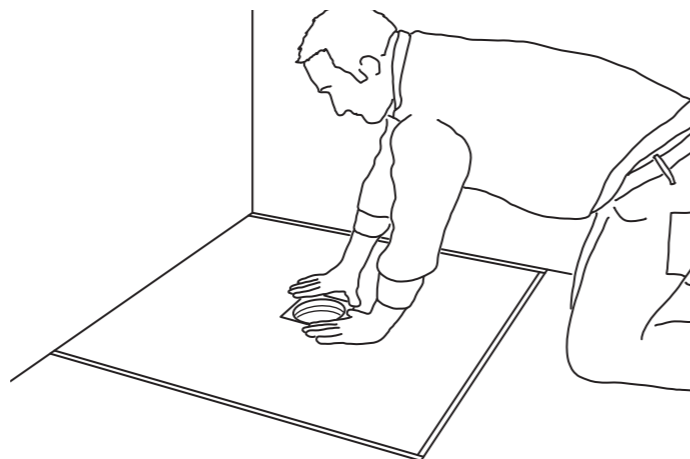
5) Grease the flange beneath the shower board with plumbers grease. Make sure the factory-supplied sealing ring is positioned in the drain.



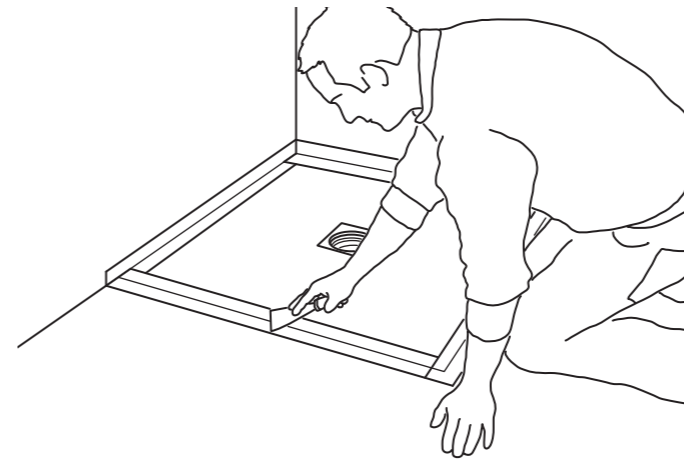
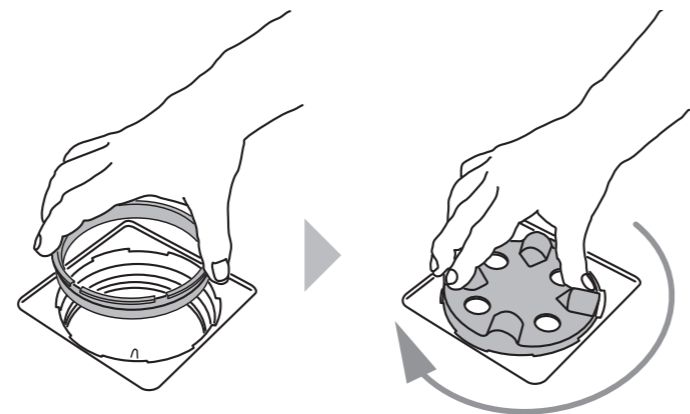
6) Carefully position JACKOBOARD® Aqua in the screed recess so that the flange piece is on the drain.



Press on the flange to insert the piece into the drain.
Caution: Press directly on the flange, not on the edge of the shower element.



7) Insert the grate support frame (8) in the shower tray base. The drain is now firmly connected to the shower base.

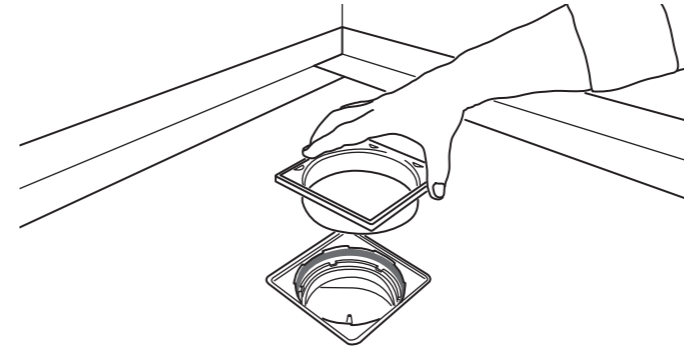


8) Seal all joints with an appropriate sealing system (for example JACKOBOARD® sealing set or JACKOBOARD® Board-Fix adhesive in addition with JACKOBOARD® sealing tape in cement-based flexible adhesive).

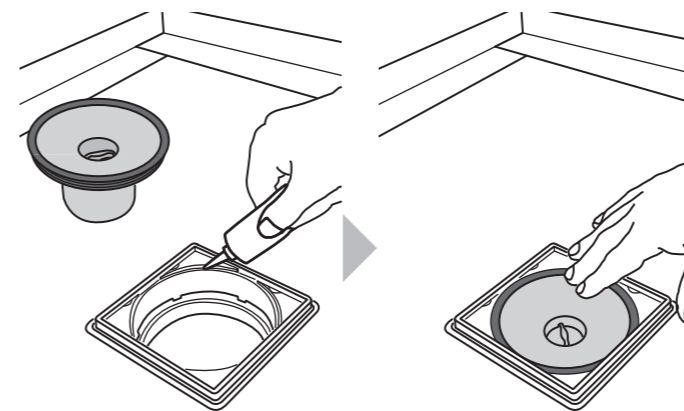
9) Insert the grate support frame (8) in the shower tray base.

The height of the support frame can be adjusted between 3 – 18 mm depending on the thickness of the tiles. It can be shortened if necessary.

If using thicker tiles we recommend first fitting the grate extension insert (5) into the flange on the shower tray base.



10) Grease the top edge of the grate support frame (8) with plumbers grease. Then insert the odour trap (6)



11) Position the grate (9) in place. The shower base is now ready for tiling.

Notes for laying tiles on JACKOBOARD® Aqua: JACKOBOARD® Aqua is suitable in principle for applying all types and sizes of tiles.

However for mosaic tiles of 25mm square or less we recommend using epoxy resin grout for the tile joints.

If the shower is to be wheelchair accessible then tiles that are 50mm square or greater must be used.

Tiles larger than 150 x 150mm must be cut to follow the valleys of the falls.

