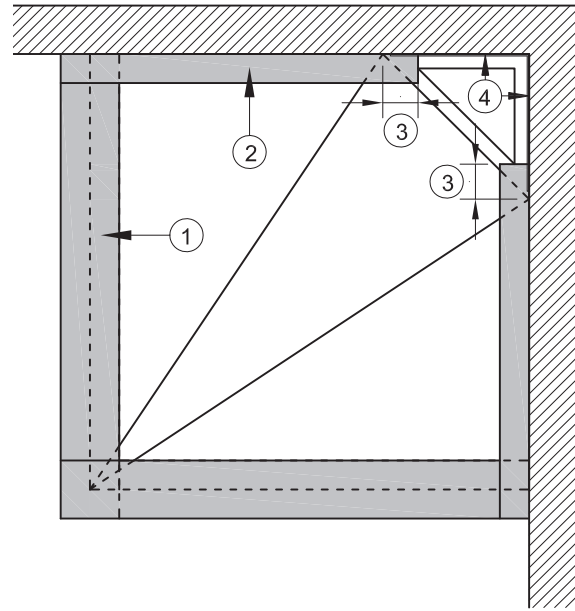
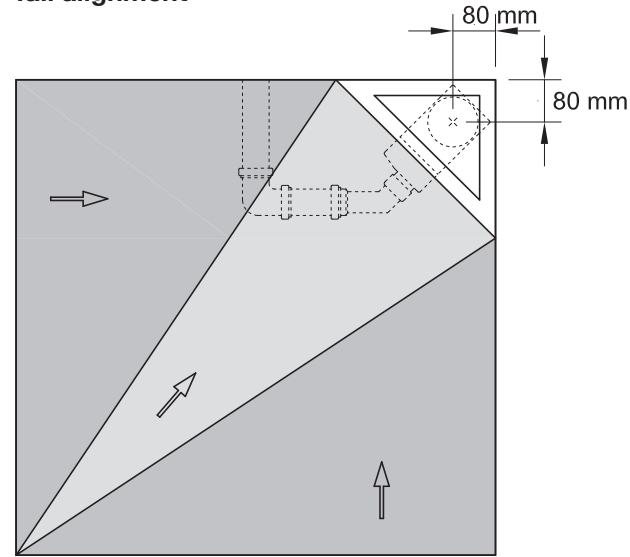


### Sealing the joints



- ① JACKOBOARD® sealing tape – Connection to the screed
- ② JACKOBOARD® sealing tape – Bent up at the wall
- ③ approx. 40 mm overlap onto the metal flange
- ④ JACKOBOARD® sealing tape – Connection metal flange/wall

### Floor drain position/ fall alignment



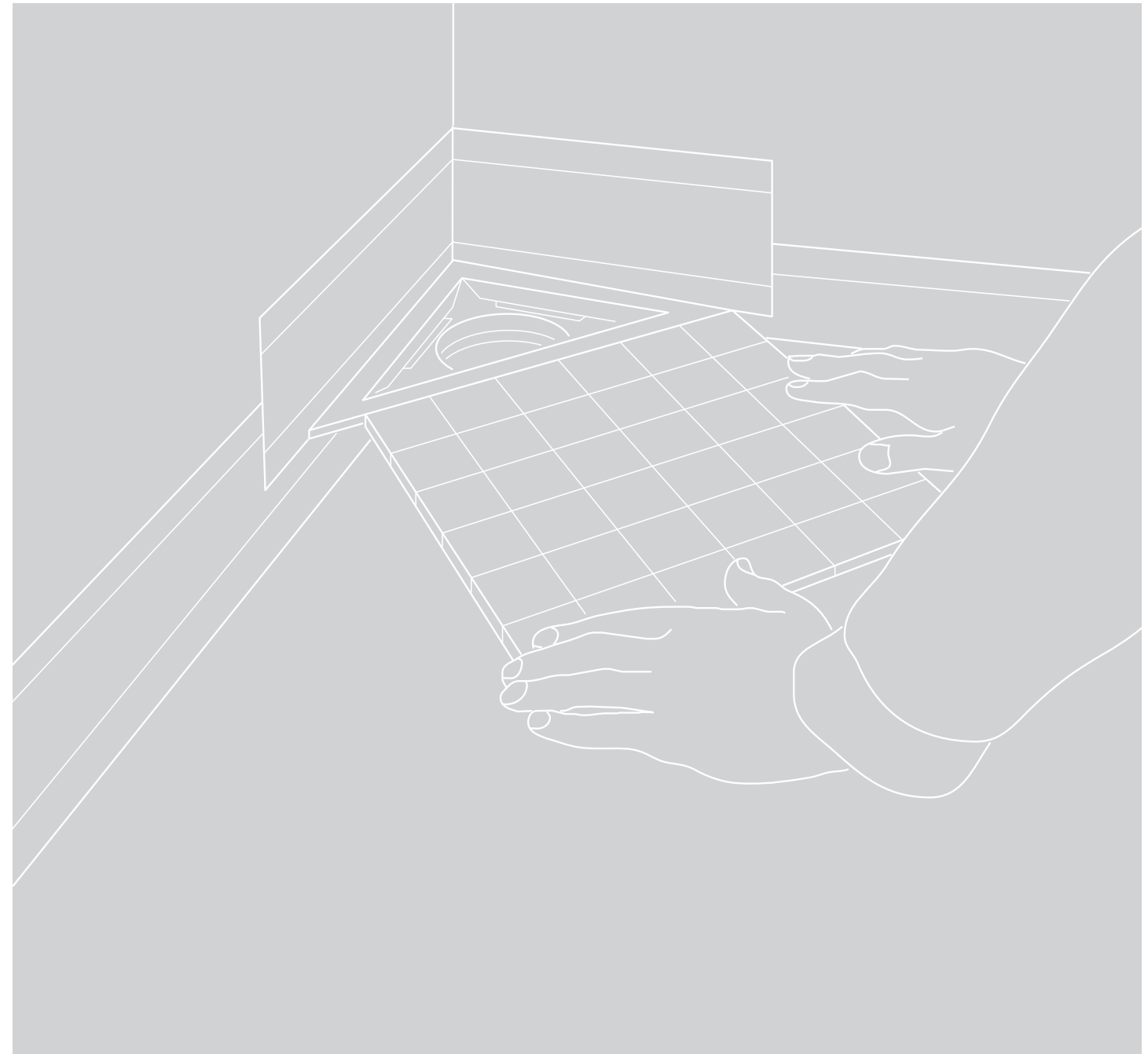
#### Please note

The information in this leaflet is based on our experience and current materials specification. It represents no specific guarantee and the instructions for use outlined should be always observed together with considerations regarding building structure and existing Building Law.

# JACKOBOARD®

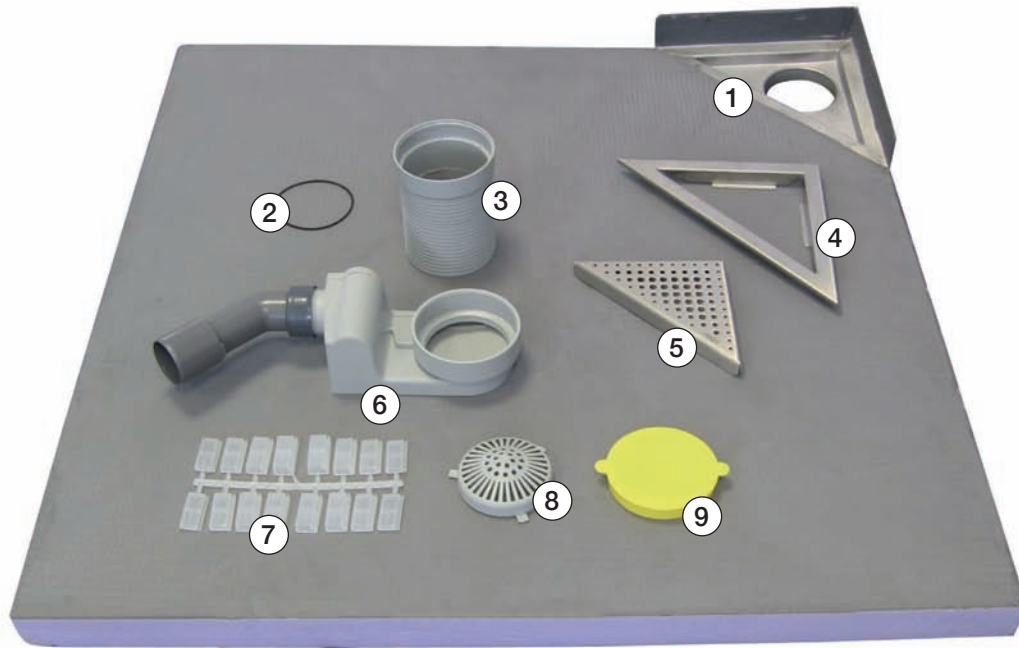


## Aqua Delta – Shower element with corner drain.



JACKODUR®, JACKOBOARD® and JACKOCARE® are registered trademarks of JACKON Insulation GmbH. 4507850 GB 11/2014

## JACKOBOARD® Aqua Delta – System components

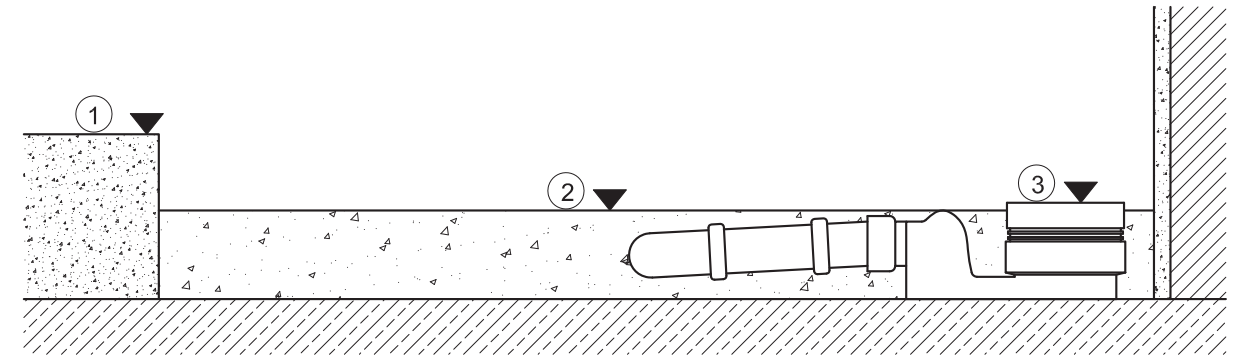


- ① JACKOBOARD® Aqua Delta (shower element with integrated stainless steel frame)
- ② 2 x Seal rings
- ③ Height adjustment piece
- ④ Height-adjustable and laterally adjustable grate frame
- ⑤ Grate
- ⑥ Drain with odour trap, DN 50/DN 40 run off support
- ⑦ Spacing blocks
- ⑧ Sieve
- ⑨ Protective cover

**Note:** Tiles can be laid straight onto JACKOBOARD® Aqua Delta. All types and sizes of tiles can be used in principle. In the case of mosaic tiles less than 25 mm thick we recommend using epoxy resin grout for the tile joints. Wheelchair-accessible showers must be covered with tiles measuring a minimum of 50 x 50 mm.

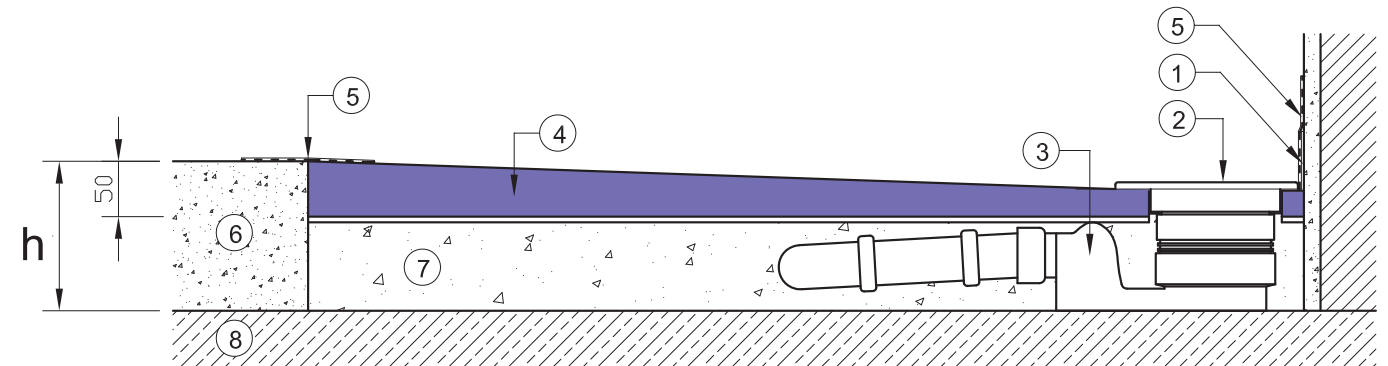
In the case of floor structures with impact sound insulation, the installation of suitable impact sound insulation and edge insulation strips must be included in the planning. Tiles larger than 15x15 cm must be cut to follow the valleys of the falls (see diagram on back page).

## JACKOBOARD® Aqua Delta – installation heights



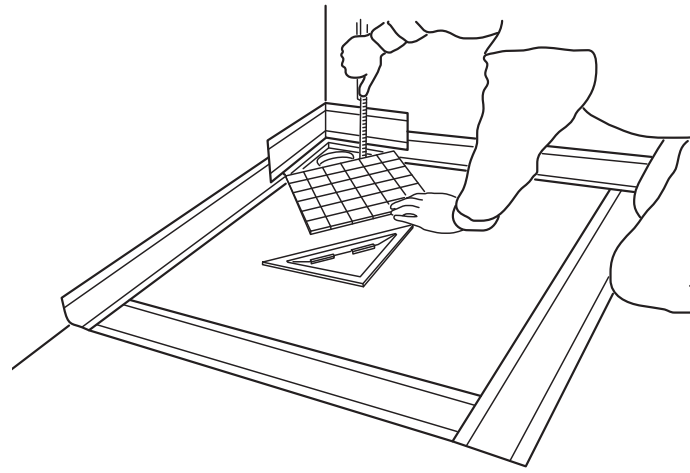
- ① Screed height 0.0 mm
- ② Levelling screed height -55.0 mm  
(thickness of shower element 50 mm + cement-based adhesive 5 mm)
- ③ Height of height adjustment piece  
- 44.0 mm (size 900 x 900 mm)  
- 52.0 mm (size 1200 x 1200 mm)  
In the case of special dimensions, the height offset must be determined on site!

## JACKOBOARD® Aqua Delta – assembly height

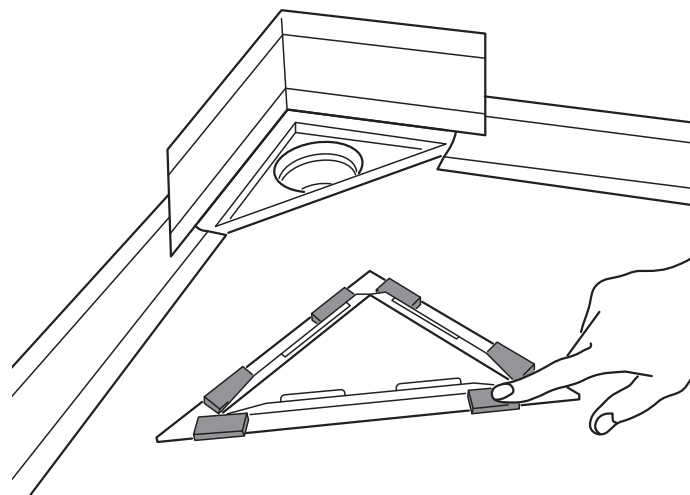


- Assembly height (h) = 135 mm (for standard dimensions)  
In the case of special dimensions, the assembly height must be determined on site

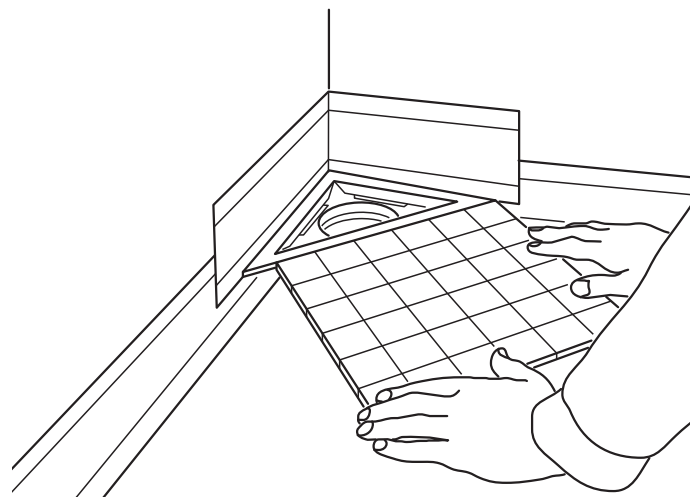
- ① Metal flange
- ② Grate
- ③ Floor drain with odour trap
- ④ JACKOBOARD® Aqua Delta
- ⑤ JACKOBOARD® sealing tape
- ⑥ Screed
- ⑦ Levelling screed
- ⑧ Concrete floor



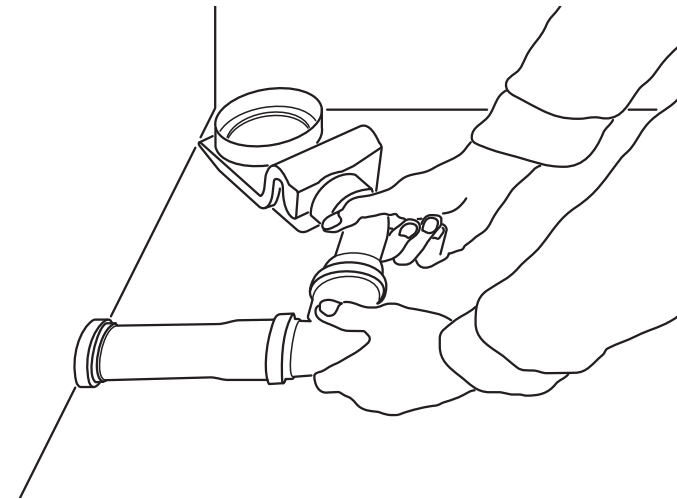
10) The grate frame is height-adjustable and can be set to various tile thicknesses. First measure the thickness of the tiles.



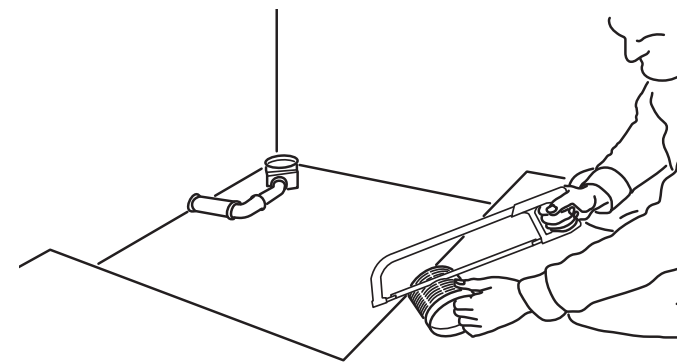
11) To adjust the height of the grate frame, press 6 spacing blocks of the same thickness beneath the grate frame as shown. Then insert the grate frame. The grate frame can be moved by 5 mm horizontally in all directions.



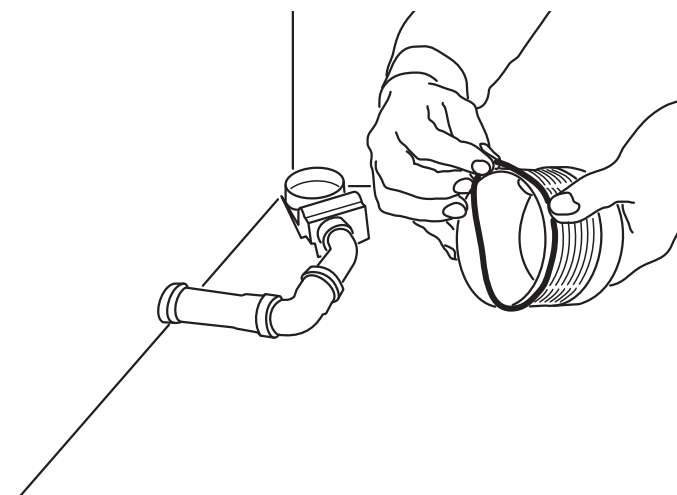
12) Once the grate frame has been inserted, JACKOBOARD® Aqua Delta can be covered with tiles. The sieve and grate are then inserted.



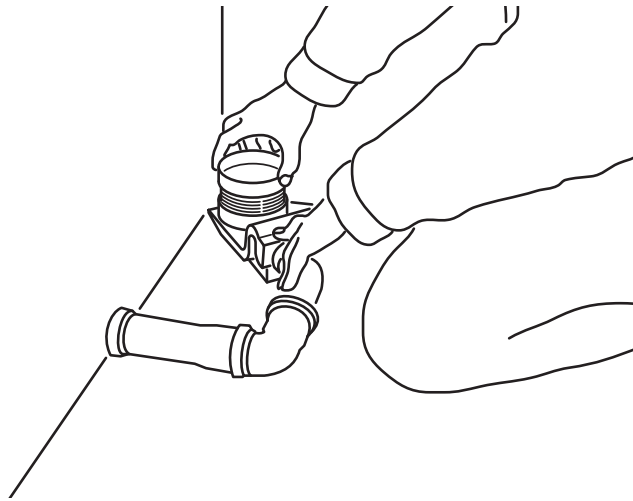
1) The floor drain is connected to the on-site discharge pipe (see drawing on page 8, floor drain position/fall alignment).



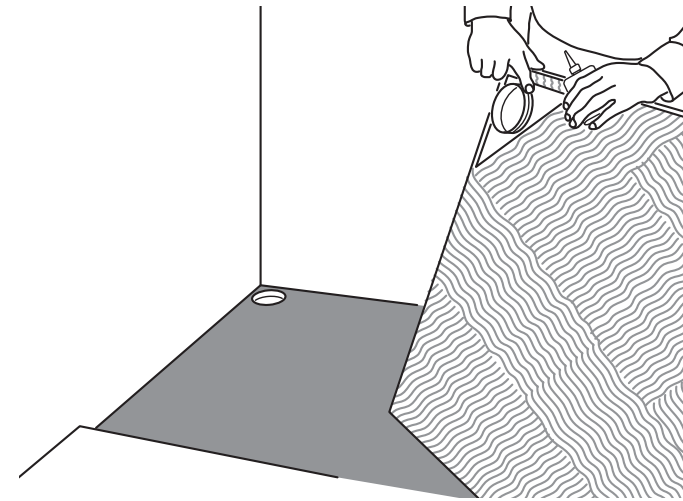
2) The height adjustment piece must be cut to the right length (see drawing on page 7, installation heights).



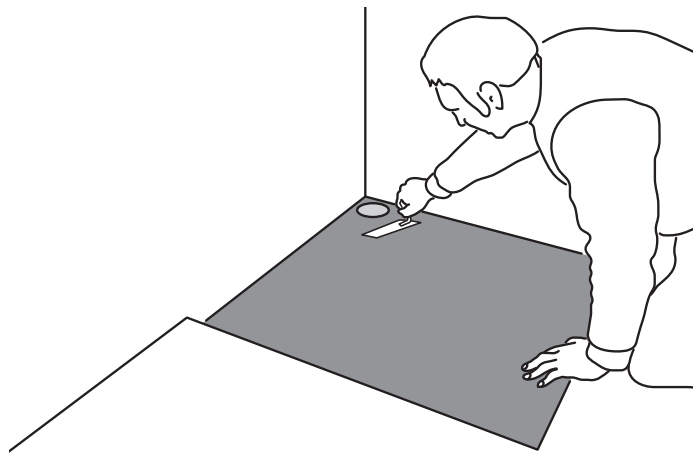
3) The seal ring is placed on the height adjustment piece and greased.



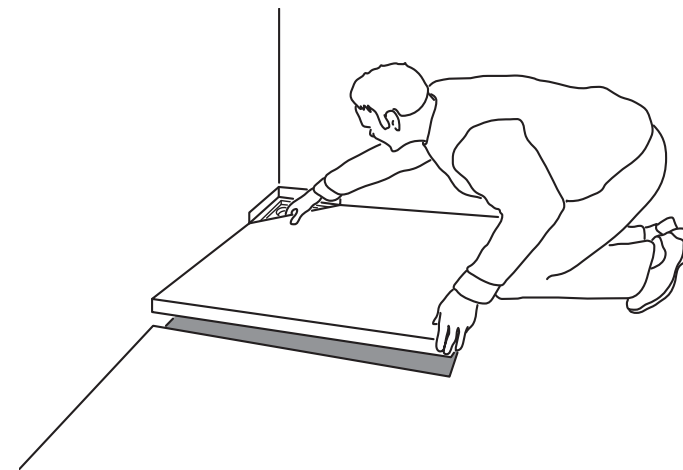
4) The height adjustment piece is pushed as far as it will go into the drain and the protective cover then placed on top.



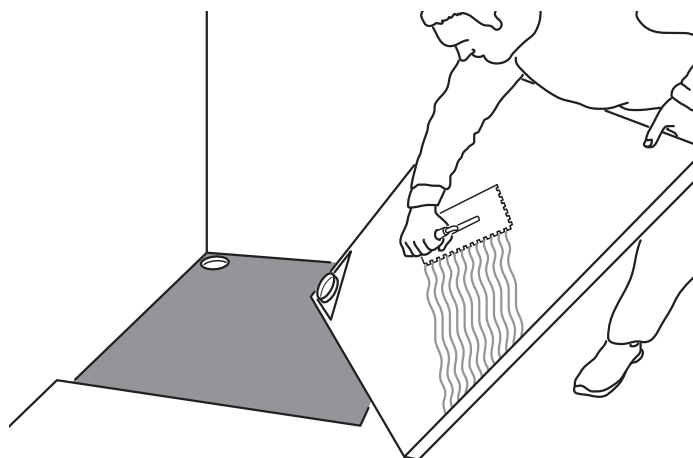
7) The 2nd seal ring is positioned beneath the shower corner and greased.



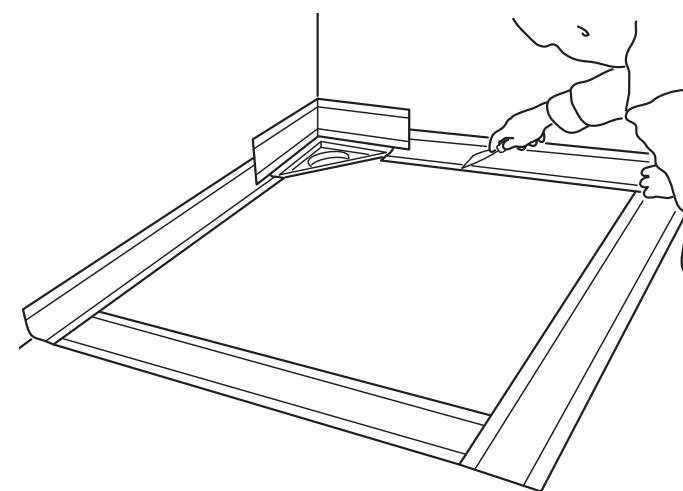
5) The recess is filled with levelling screed and smoothed flat at the correct height (see drawing on page 7, installation heights).



8) The shower corner is positioned in the screed recess. The runoff support on the shower corner is pressed firmly into the height adjustment piece.



6) Once the levelling screed has dried, the protective cover is removed. Use a notched trowel to cover the complete underside of JACKOBOARD® Aqua Delta with a 5 cm continuous bed of cement-based single part flexible adhesive.



9) All joints are sealed with JACKOBOARD® sealing tape and cement-based tile adhesive. The sealing tape is fixed waterproof to the metal flange with an overlap of approx. 4cm in the area of the drain (see drawing on page 8, sealing the joints).